

N27D RAIL-MOUNTED NETWORK METER

FEATURES:

63 A

INPUTS:

V A

W Hz



GALVANIC ISOLATION:



Export department:
+48 68 45 75 139 / 305 / 321 / 368
Fax: +48 68 32 54 091
e-mail: export@lumel.com.pl

LUMEL S.A.
ul. Stubiczka 1
65-127 Zielona Góra
POLAND
WWW.LUMEL.COM.PL



NEW



- Direct measurement up to 63A.
- Measurement of: RMS current (a.c.) and voltage (a.c.), active power and frequency.
- Switched measured value.
- 4-digit display in yellow colour.
- Backlighted indicator of displayed value.
- Modern design allows for installation of the meter in modular switchgear in accordance with EN 62208 (meter has a width of 3 modules) on 35 mm rail.

INPUTS

Kind of input	Measuring range	Parameters	Basic error
Voltage input U	0...0.01...1.2 Un	input resistance: > 3 MΩ	± (0.5% of the range) in frequency range 40...500 Hz
Current input I	0...0.01...1.2 In		± (0.5% of the range) in frequency range 45...65 Hz
Voltage frequency	0...2.00...500.0 Hz		± (0.02% of the range)
Current frequency	0...45.00...500.00 Hz		
Active power	-45.4 ...-31.5 ... 31.50 ... 45,36 kW at frequency 45... 65 Hz		± (1% of the range) at frequency 45...65 Hz

EXTERNAL FEATURES

Readout field	4-digit LED displays - digit height: 8,5 mm - yellow, indication range: -1999...9999	
Weight	< 0.25 kg	
Overall dimensions	53 x 110 x 60 mm	Bezel: 45 × 53 mm
Protection grade	IP00	acc. to EN 60529
Fixing	on a 35 mm rail	acc. to EN 60715

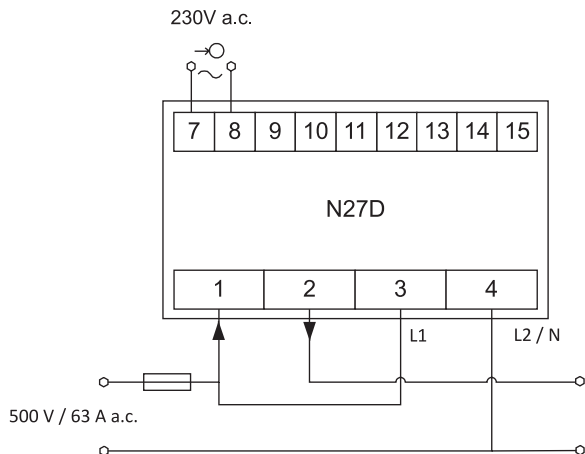
RATED OPERATIONS CONDITIONS

Supply voltage	230 V ± 10% a.c. (45...65 Hz)	Power consumption < 6 VA
Input voltage Un	500 V a.c. 0...2...40.0...500.0 Hz	
Input current In	63 A a.c. 0...45.0...500.0 Hz	
Temperature	ambient: -10...23...55°C	Storage: -25...85°C
Relative humidity	< 95%	Condensation inadmissible
Operating position	any	

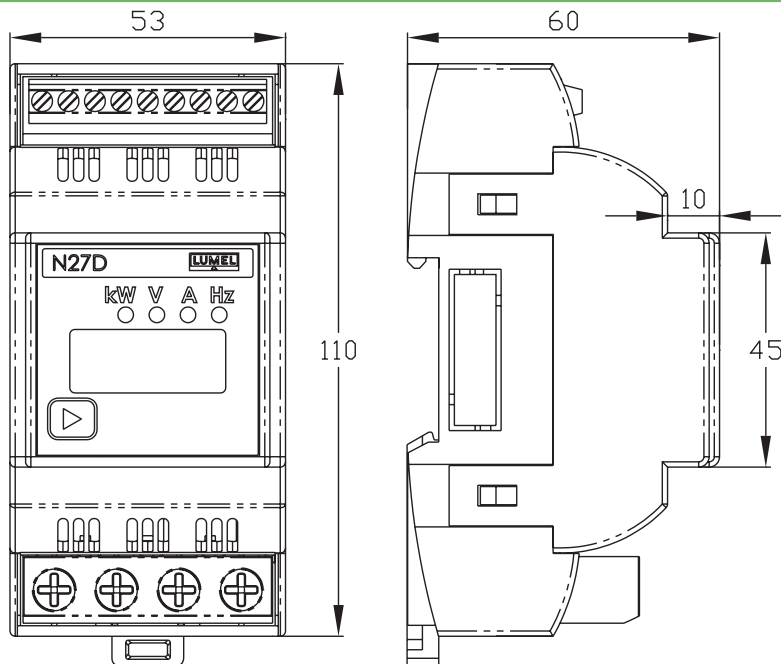
SAFETY AND COMPATIBILITY REQUIREMENTS

Electromagnetic compatibility	noise immunity	acc. to EN 61000-6-2
	noise emissions	acc. to EN 61000-6-4
Installation category	III up to 300 V (II for 300 ... 600 V)	acc. to EN 61010-1
Pollution grade	2	
Phase-to-earth operating voltage	- for the supply circuit: 300 V, - for the measuring input 600 V – category II (300 V – category III)	

CONNECTION DIAGRAM



EXTERNAL DIMENSIONS



ORDERING

	N27D - XX	X	X
Version:			
standard	00		
custom-made*	XX		
Language:			
Polish		P	
English		E	
other*		X	
Acceptance tests:			
without extra quality requirements			0
with an extra quality inspection certificate			1
acc. to customer's request*			X

ORDERING EXAMPLES:

Code: **N27D - 00 E 0** means:
N27D - rail mounted digital meter
00 - standard version
E - English language,
0 - without extra quality inspection requirements.

* - after agreeing with the manufacturer

SEE ALSO:



Miernik parametrów sieci na szynę - N43.



Analog meters of EA series fulfilling IP65 requirements from the frontal side.



N24 and N25 meters (indicators) for measurements of temperature, d.c. or a.c. voltage and current, and frequency.

OUR OFFER



www.lumel.com.pl

For more information about LUMEL's products please visit our website:
www.lumel.com.pl

Export department:
 +48 68 45 75 139 / 305 / 321 / 368
 Fax: +48 68 32 54 091
 e-mail: export@lumel.com.pl

LUMEL S.A.
 ul. Słubicka 1
 65-127 Zielona Góra
 POLAND
WWW.LUMEL.COM.PL